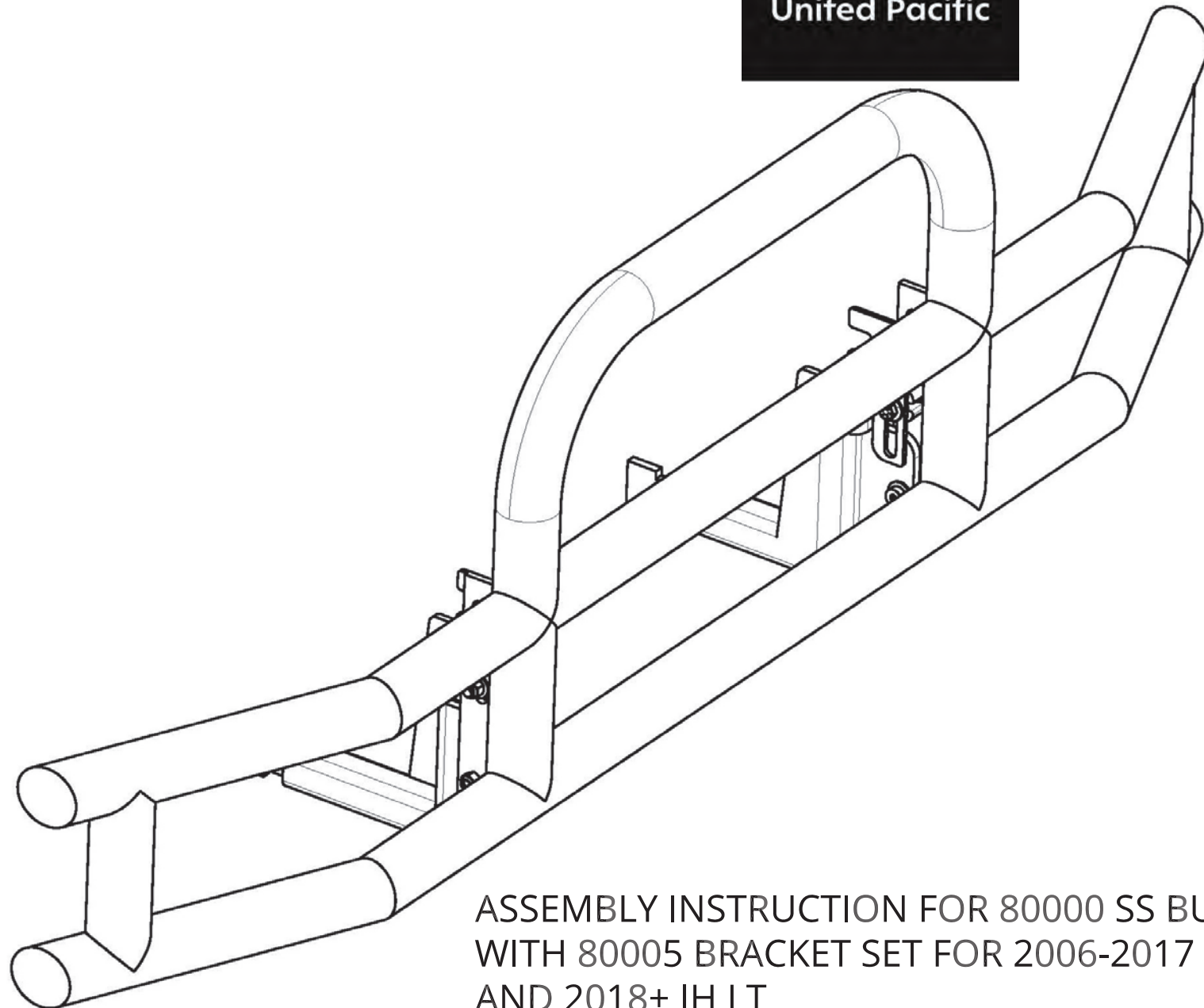


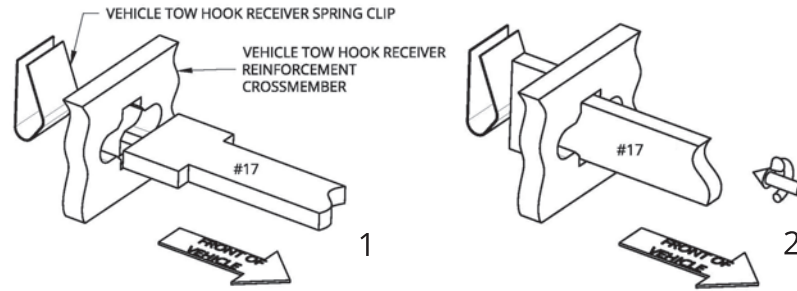
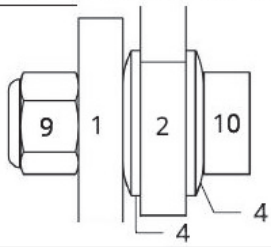


United Pacific



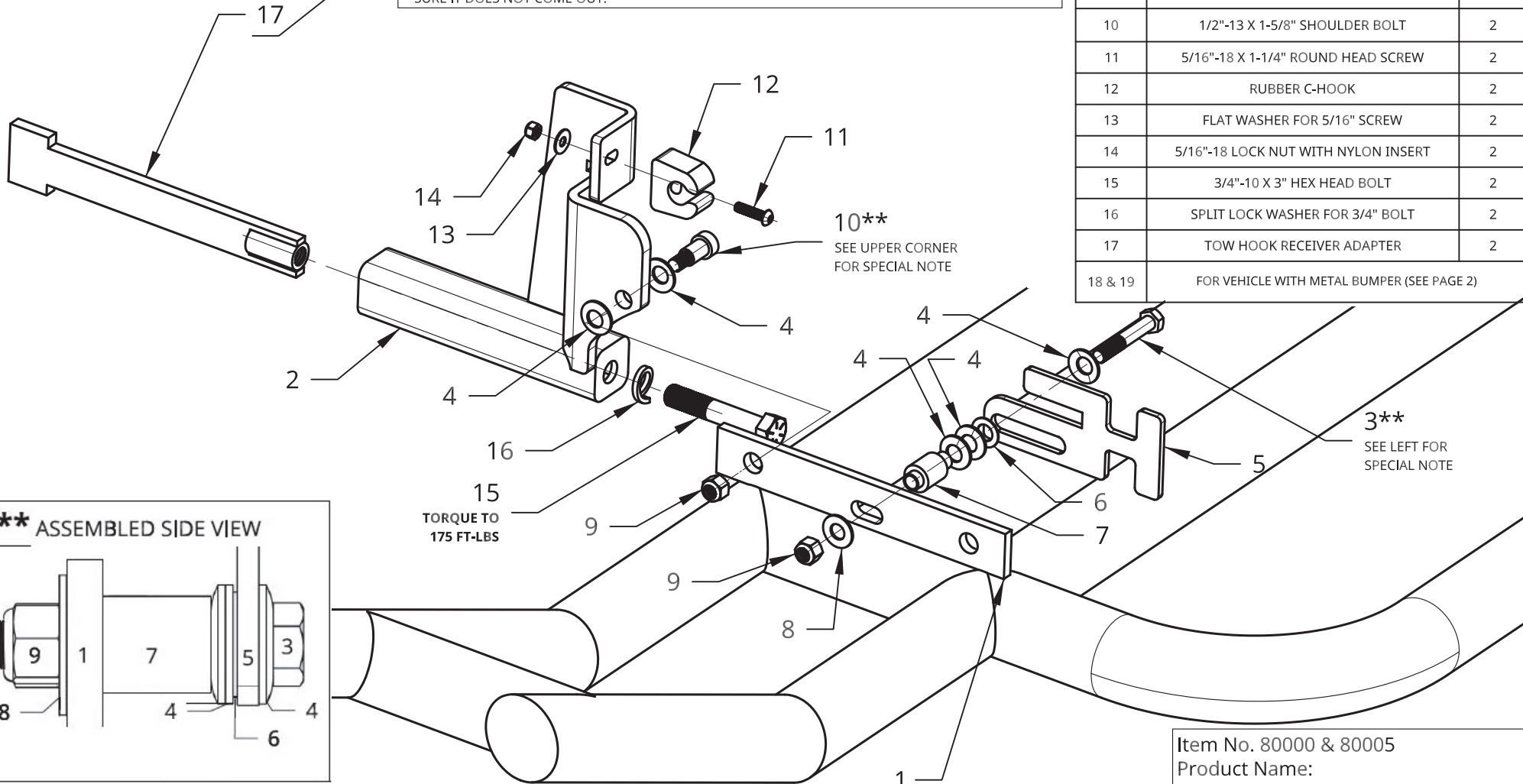
ASSEMBLY INSTRUCTION FOR 80000 SS BULL BAR
WITH 80005 BRACKET SET FOR 2006-2017 IH PROSTAR
AND 2018+ IH LT

10 ASSEMBLED SIDE VIEW**

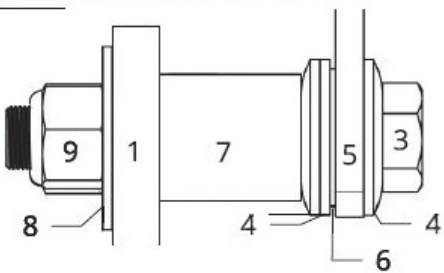


INSTALL NOTE FOR TOW HOOK RECEIVER ADAPTER (PART #17)
 1. SLIDE ADAPTER INTO VEHICLE TOW RECEIVER POCKET AS SHOWN ON 1.
 2. WHILE KEEPING ADAPTER CENTERED IN THE RECEIVER POCKET, PUSH IN AGAINST THE SPRING CLIP AND ROTATE AT THE SAME TIME.
 3. AFTER ADAPTER IS SEATED IN THE POCKET IN THE POSITION SHOWN ON 2. PULL ON IT TO MAKE SURE IT DOES NOT COME OUT.

No.	DESCRIPTION	QTY/SET
1	304 SS BULL BAR	1
2	MOUNTING BRACKET (L+R)	1 PR
3	1/2"-13 X 3" HEX HEAD BOLT	2
4	SPRING WASHER	10
5	T-SLIDE KEY	2
6	PLASTIC WASHER	2
7	METAL SLEEVE	2
8	FLAT WASHER FOR 1/2" BOLT	2
9	1/2"-13 LOCK NUT WITH NYLON INSERT	4
10	1/2"-13 X 1-5/8" SHOULDER BOLT	2
11	5/16"-18 X 1-1/4" ROUND HEAD SCREW	2
12	RUBBER C-HOOK	2
13	FLAT WASHER FOR 5/16" SCREW	2
14	5/16"-18 LOCK NUT WITH NYLON INSERT	2
15	3/4"-10 X 3" HEX HEAD BOLT	2
16	SPLIT LOCK WASHER FOR 3/4" BOLT	2
17	TOW HOOK RECEIVER ADAPTER	2
18 & 19	FOR VEHICLE WITH METAL BUMPER (SEE PAGE 2)	



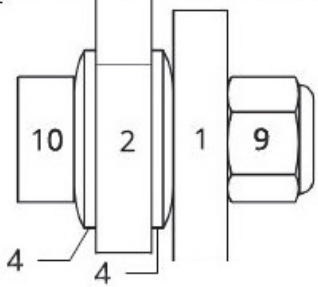
3 ASSEMBLED SIDE VIEW**



PASSENGER SIDE ASSEMBLY SHOWN

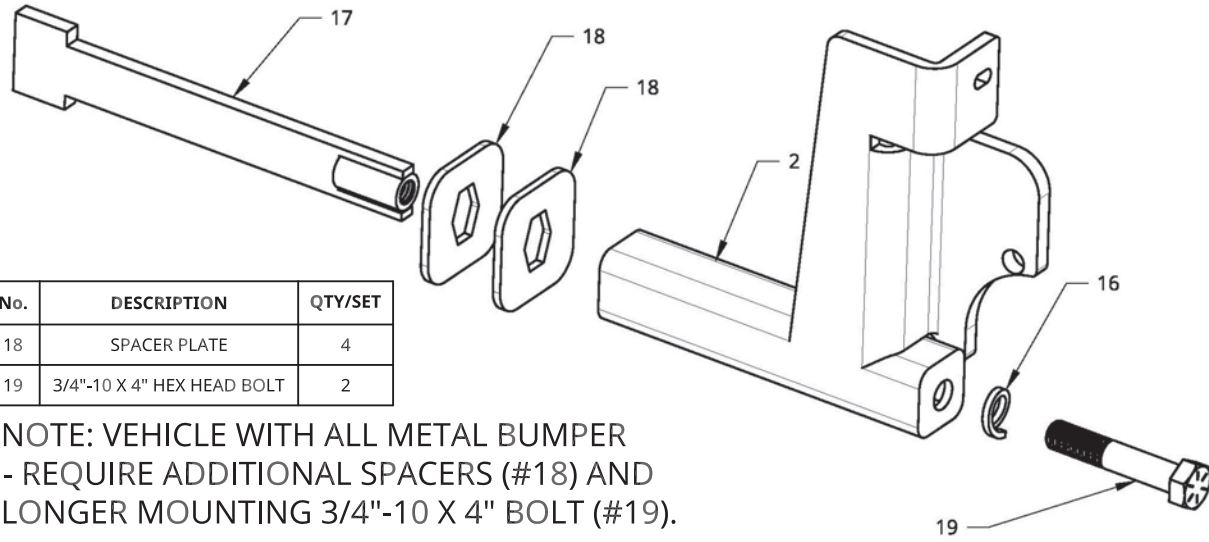
Item No. 80000 & 80005
 Product Name:
 GRILLE GUARD MOUNTING BRACKET SET
 FOR IH PROSTAR AND LT

10* ASSEMBLED SIDE VIEW

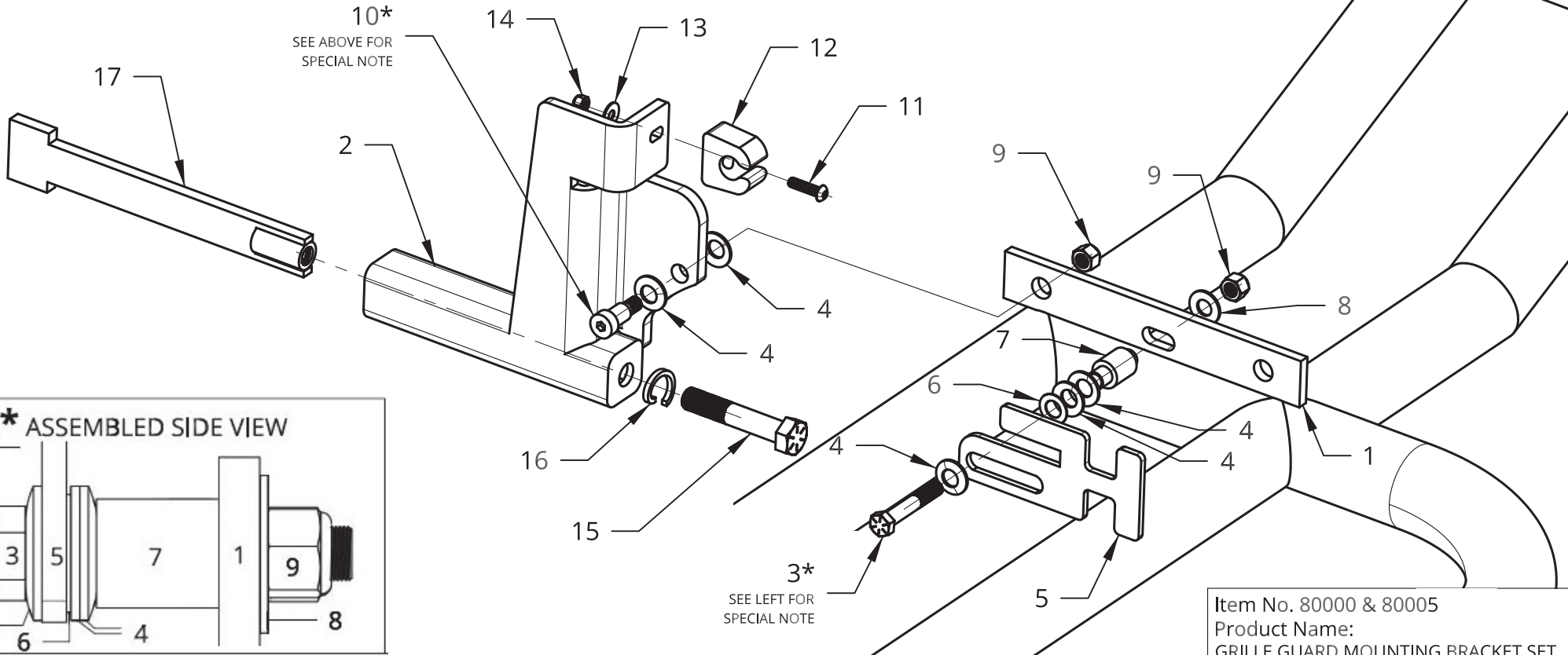


No.	DESCRIPTION	QTY/SET
18	SPACER PLATE	4
19	3/4"-10 X 4" HEX HEAD BOLT	2

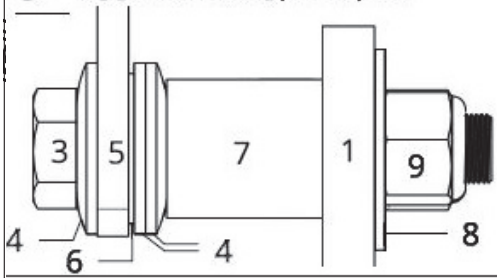
NOTE: VEHICLE WITH ALL METAL BUMPER
- REQUIRE ADDITIONAL SPACERS (#18) AND
LONGER MOUNTING 3/4"-10 X 4" BOLT (#19).



10*
SEE ABOVE FOR
SPECIAL NOTE



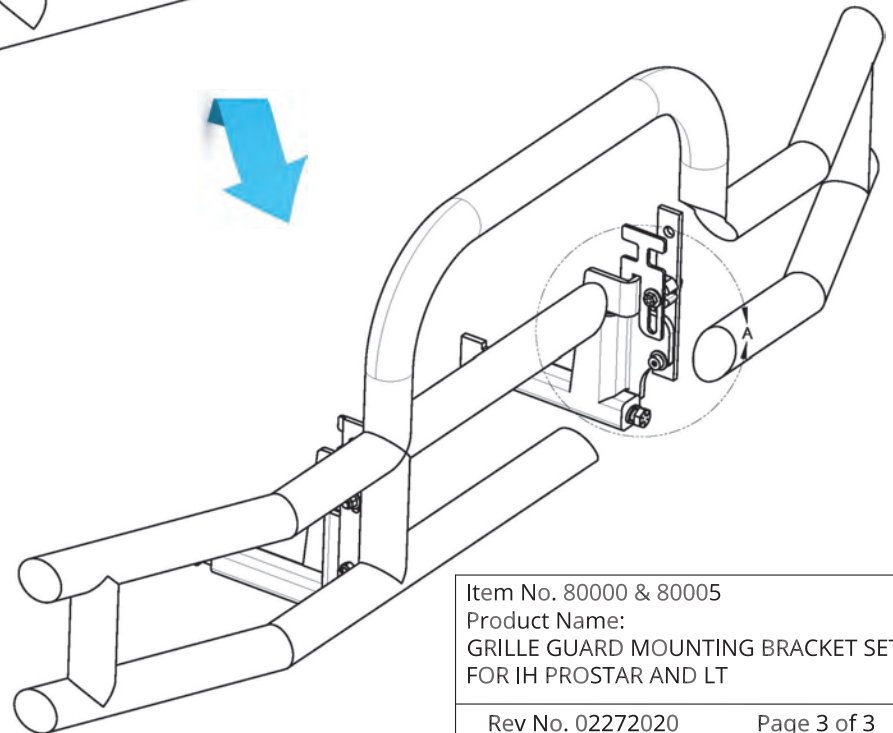
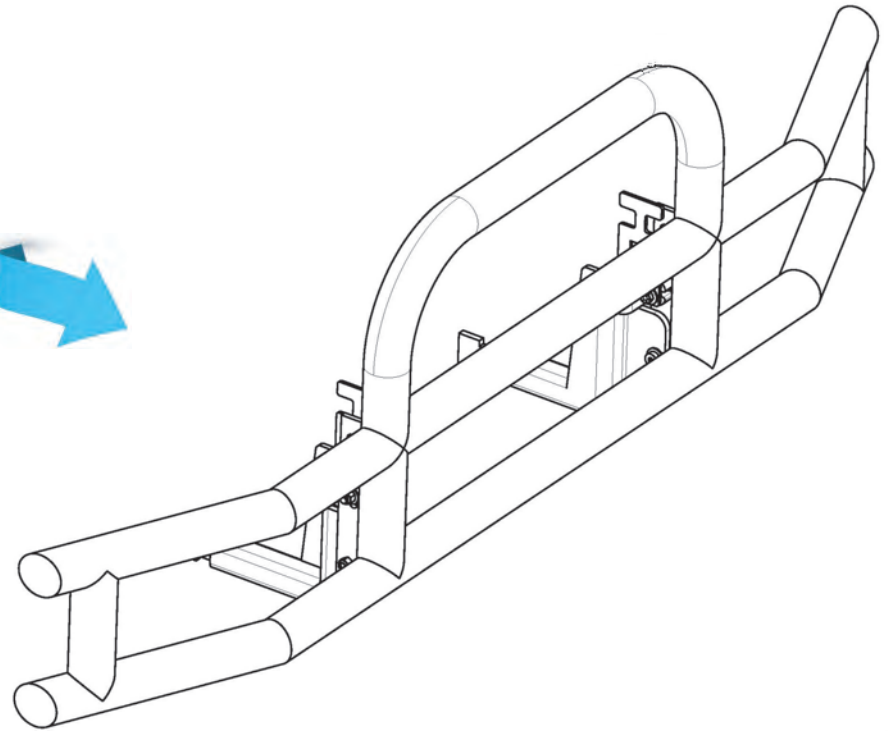
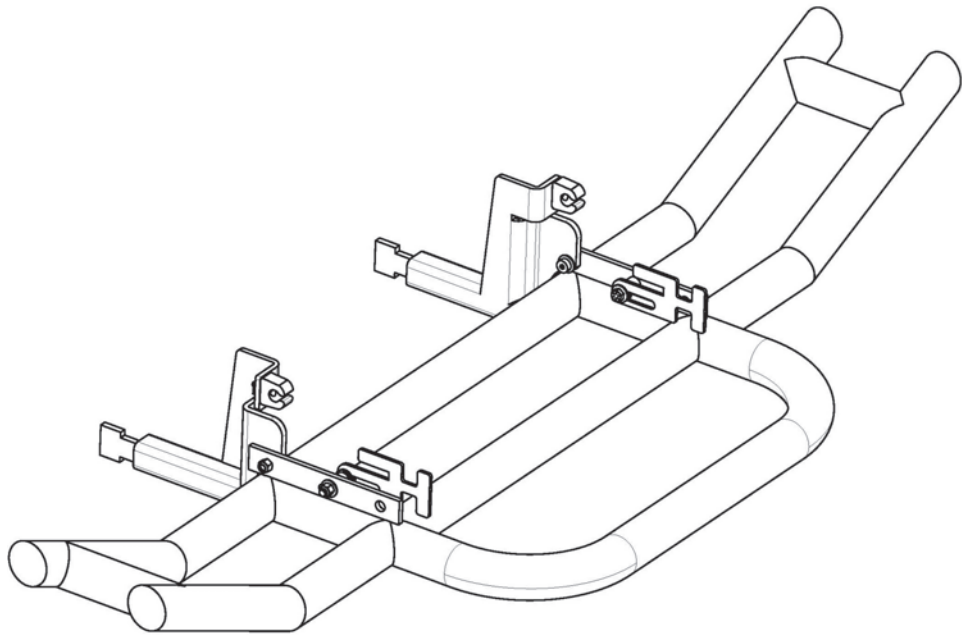
3* ASSEMBLED SIDE VIEW



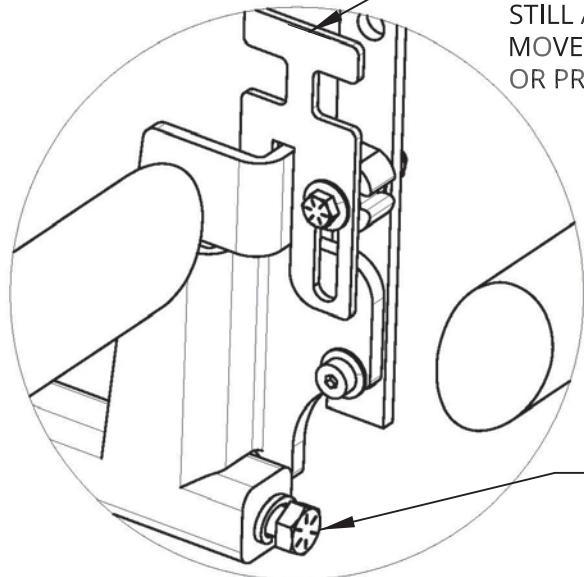
3*
SEE LEFT FOR
SPECIAL NOTE

DRIVER SIDE ASSEMBLY SHOWN

Item No. 80000 & 80005
Product Name:
GRILLE GUARD MOUNTING BRACKET SET
FOR IH PROSTAR AND LT



NOTE: TO AVOID BULL BAR FROM ACCIDENTALLY TILTING FORWARD, THE T-SLIDE KEY (#5) MUST BE ALL THE WAY DOWN. BE SURE TO TIGHTEN THE T-SLIDE BOLT SECURELY, BUT STILL ALLOW T-SLIDE KEY TO MOVE WITH AID OF HAMMER OR PRY BAR.



DETAIL A

TORQUE TO
175 FT-LBS

Item No. 80000 & 80005
Product Name:
GRILLE GUARD MOUNTING BRACKET SET
FOR IH PROSTAR AND LT